

Fixing foot brackets / Braketler ile montaj

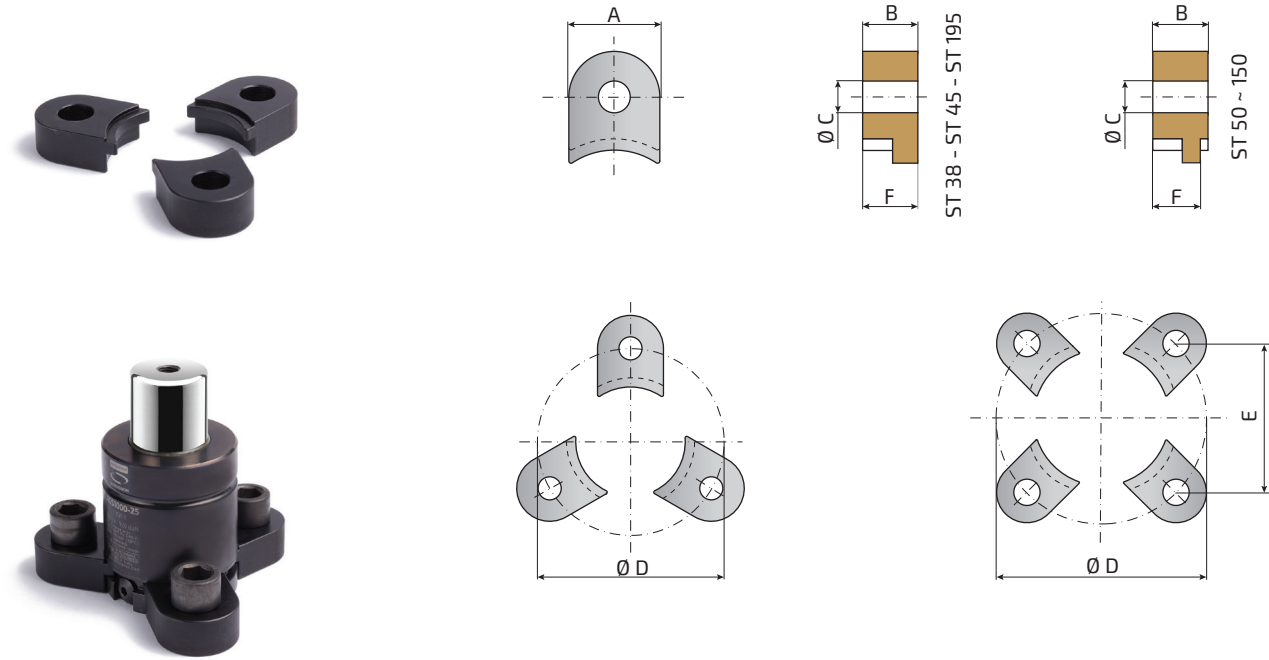


FIG. 1

FIG. 2

Model Model	Reference to Standards Referans standart	For models... Modeller için...	A mm	B mm	C mm	Ø D mm	E mm	F mm	FIG.
ST 38	-	AGS500, IGS250, TGS1000	20	7	7	56.6	-	7	1
45	-	AGS750, IGS500, LGS500	25	7	9	70.7	-	7	1
50	-	AGS1000, IGS750, TGS2000	30	14.2	13	80	-	13	1
63	-	AGS1500, TGS3000	30	14.2	13	92	65	13	2
75	-	AGS2400, IGS1500, TGS5000	30	14.2	13	104	73.5	13	2
95	-	AGS4200, IGS3000, TGS8000	40	14.2	17	130	92	13	2
120	-	AGS6600, IGS5000, TGS12000	50	14.2	17	155	109.5	13	2
150	-	AGS9500, IGS7500	50	14.2	21	195	138	13	2
195	-	AGS20000, IGS10000	58	16	21	240	169	16	2

Fixing possibilities / Montaj olasılıkları

